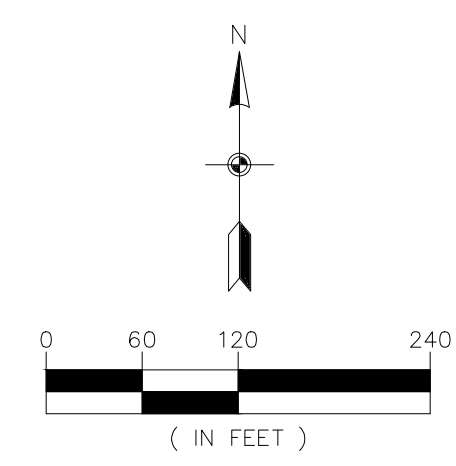


LOT DATA

42' SINGLE FAMILY LOTS	32
40' SFD COURT LOTS	66
50' SINGLE FAMILY LOTS	47
TOTAL LOTS	145

FRONT SETBACK (COURT)	20 FT.
FRONT SETBACK	25 FT.
SIDE SETBACK HOUSE	5 FT.
SIDE SETBACK GARAGE	5 FT.
REAR SETBACK	30 FT.
SETBACK (C.S.A.H. NO.1)	50 FT.



CONCEPT PLAN

PORT RIVERWALK REDEVELOPMENT
Coon Rapids, Minnesota

CENTRA HOMES, LLC
11460 Robinson Drive N.W.
Minneapolis, MN 55433

REVISIONS

DRAWN BY: _____
 ISSUE DATE: 3/2/2018
 FILE NO: _____

Name: _____
 Signature: _____
 Date: _____ License #: _____