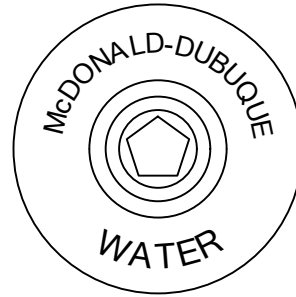


PLUG STYLE LID WITH 27/32" BRASS PENTAGON PLUG (REMOVABLE).



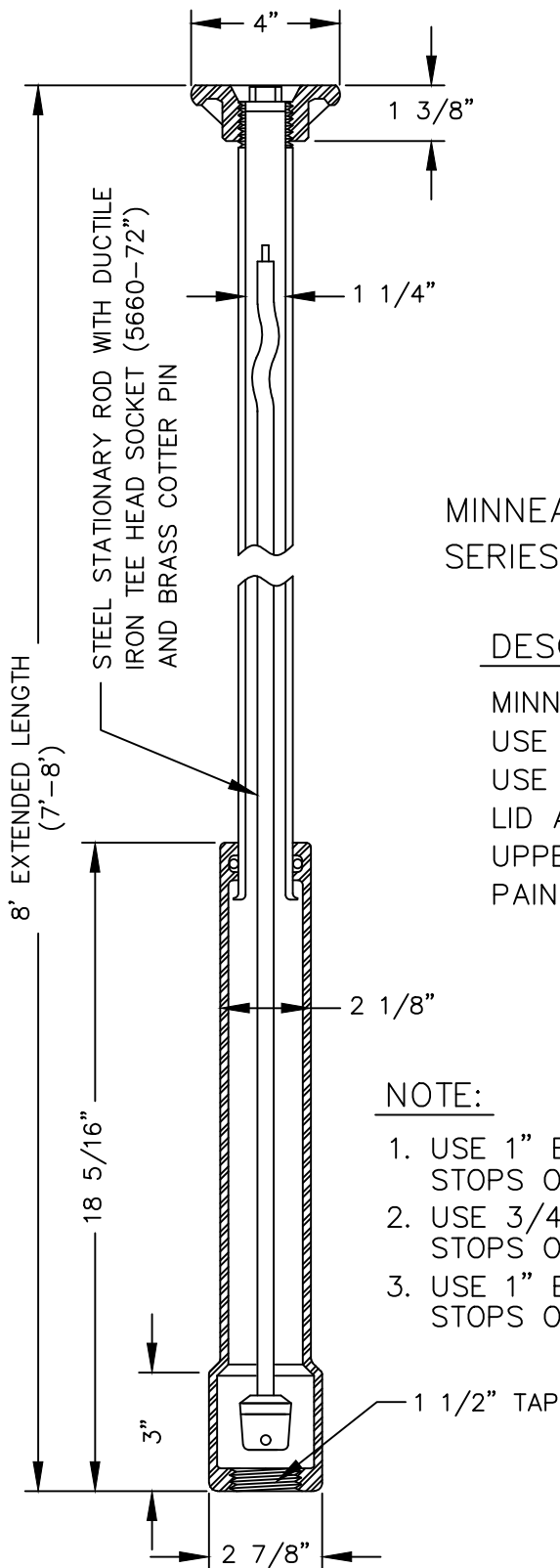
MINNEAPOLIS PATTERN—BASE TAPPED 1 1/2" SERIES: 5614—8'

DESCRIPTION:

MINNEAPOLIS STYLE, 1 1/4" UPPER WITH ROD.
 USE 5614 LID—27/32" PENTAGON PLUG IN LID.
 USE WITH 1" BALL VALVE CURB STOPS.
 LID AND BASE MADE OF CAST IRON, CLASS 25.
 UPPER SECTION MADE OF STEEL.
 PAINTED BLACK ASPHALT.

NOTE:

1. USE 1" BALL VALVE CORPORATION STOPS ON 6" W.M. WITH SADDLE.
2. USE 3/4" X 1" BALL VALVE CORPORATION STOPS ON 8" W.M. OR 1" WITH SADDLE.
3. USE 1" BALL VALVE CORPORATION STOPS ON ALL W.M. OVER 8".



CURB STOP BOX WITH ROD