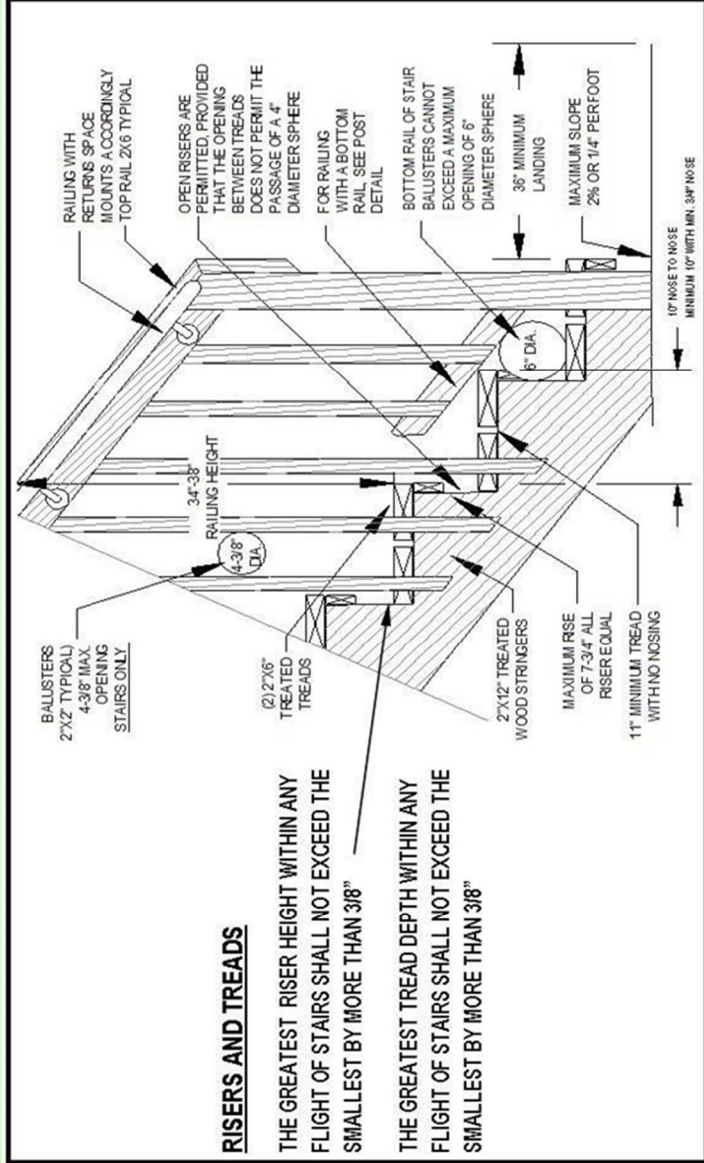


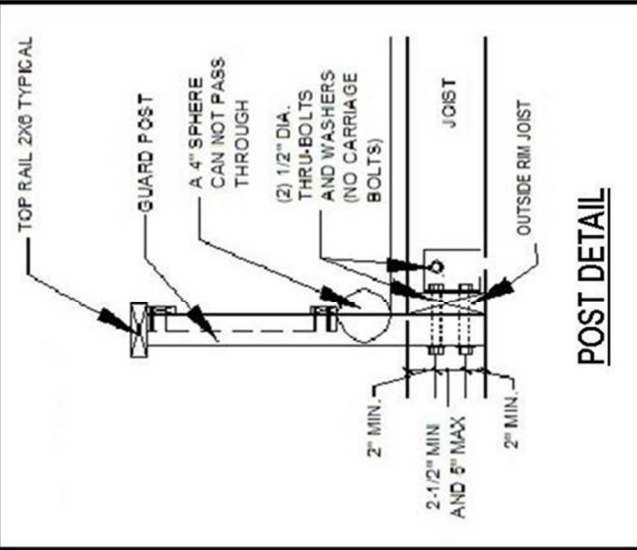
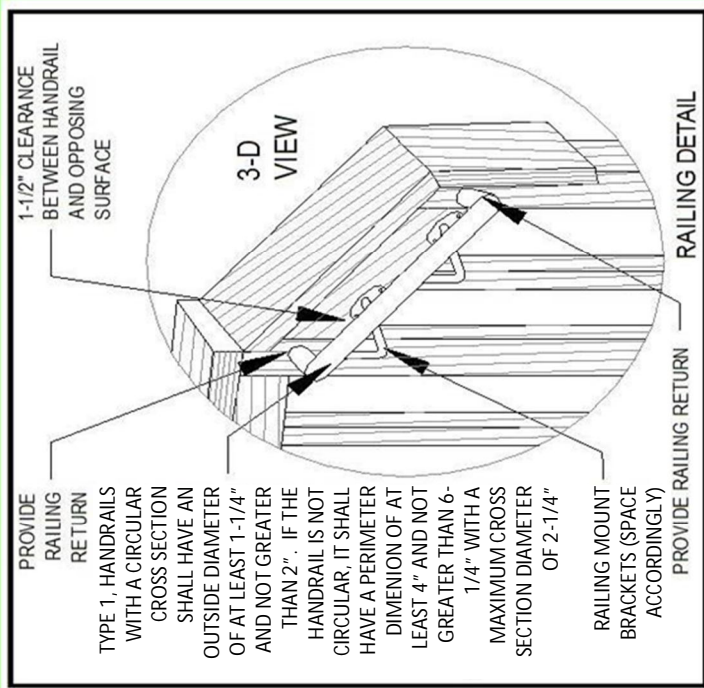
RESIDENTIAL STAIRS (INTERIOR and EXTERIOR)



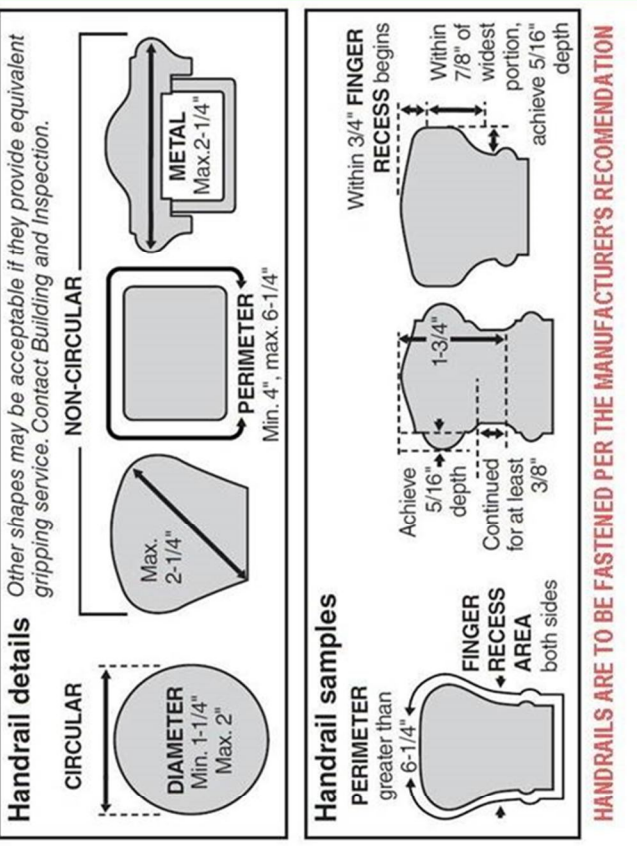
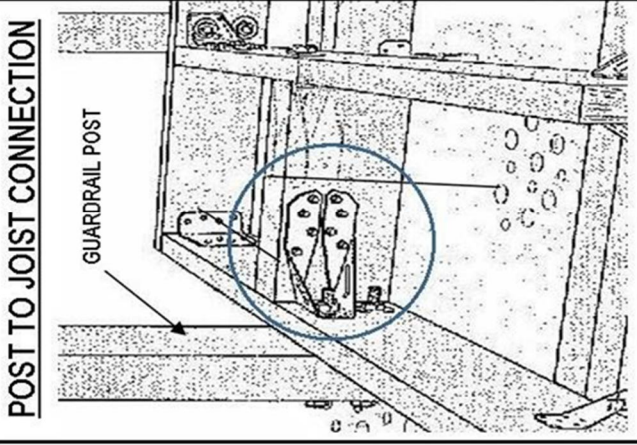
RISERS AND TREADS

THE GREATEST RISER HEIGHT WITHIN ANY FLIGHT OF STAIRS SHALL NOT EXCEED THE SMALLEST BY MORE THAN 3/8"

THE GREATEST TREAD DEPTH WITHIN ANY FLIGHT OF STAIRS SHALL NOT EXCEED THE SMALLEST BY MORE THAN 3/8"



POST DETAIL



HANDRAILS ARE TO BE FASTENED PER THE MANUFACTURER'S RECOMMENDATION